

Profile Picture

Cross-Section

Product Picture

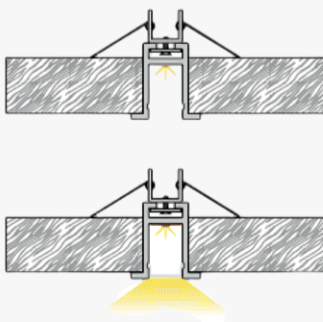
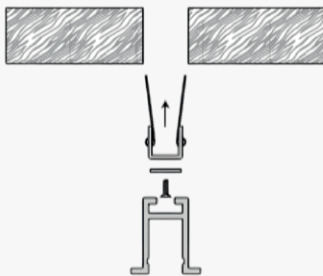
Light Direction

Technical Specifications

Code	SLL2326
Size	23.20 x 26.70 mm
CRI	85+
Input Power	24 V DC
IP Rating	IP40/IP54

Custom Options Available

DIFFUSER	PMMA Diffuser (Opal, Clear, Frosted, Milky)
CCT	2200K/2700K/3000K/3500K /4000K/5000K/6000K/6500K , Tunable White, RGB, RGBW, RGBWW
Watts/M	4.5 W - 22.5 W
Beam Angle	120 Degrees
Finish	Custom Size and Custom Powder Coating finish or Anodized finish available upon request as per RAL
Application	Modern Workspaces, Continuous Linear Lighting, Architectural Ceiling Systems, Retail Environments, Statement Linear Illumination, Contemporary Commercial Spaces

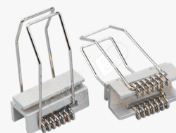


Installation Guide

Installation Accessories

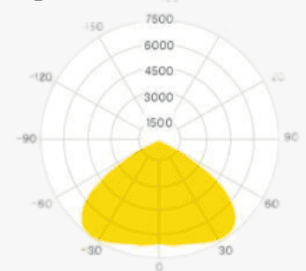


End Caps



Mounting Clips

Light Direction Plot



120°